

TINKER BOARD 2 Series

Innovatively enjoy a whole new digital experience
 享受創新的數位體驗
 享受创新的数字体验
 Profitez d'une toute nouvelle expérience numérique et innovante
 Наслаждайтесь новыми инновационными технологиями
 いまだかつてない新感覚のデジタル体験を提供します。
 Sperimentate un'esperienza di interazione digitale completamente nuova!
 Иновативно, наслаждавайте се на изцяло ново цифрово изживяване
 Zcela novú převratnú digitálnu zážitok
 Nyd en hel ny digital oplevelse
 Geniet innovatief van een volledig nieuwe digitale ervaring
 Naudi innovatiivseit kogu uut digitaalset kogemust
 Nauti innovatiivisesta, aivan uudesta digitaalisesta kokemuksesta
 Genießen Sie ein rundum neues Digitalerlebnis
 Καινοτομική απόλαυση μιας εξολοκλήρου νέας εμπειρίας
 Vadonatúj digitális élmény
 Menikmati pengalaman digital yang benar-benar baru secara inovatif
 Толькімынен жаңа сандық тәжірибеге инновациялық түрде қол жеткізіңіз
 완전히 새로운 디지털 세계를 획기적으로 즐겨보세요.
 Gústiet pilnīgi jaunu digitālo baudījumu inovatīvā veidā
 Mėgaukitės visiškai naujais skaitmeniniais potyriais
 Få glede av en helt ny, innovativ digital opplevelse
 Korzystaj z zupełnie nowego cyfrowego rozwiązania
 Desfrute de uma nova experiência digital de forma inovadora
 Bucurați-vă în cel mai inovator mod de noua experiență digitală
 Inovativno uživajte u celom, novom, digitalnom iskustvu
 Inovativne si vychutnávajte úplne nový digitálny zážitok
 Sea el primero en disfrutar de una nueva experiencia digital total
 Innovativ njutning av en helt ny digital upplevelse
 Tamamen yeni yaratıcı bir dijital deneyim yaşayın
 Tân hưởng trải nghiệm số hoàn toàn mới theo cách cải tiến
 เฟล็ดเฟลนกับการสร้างสรรคประสบการณ์ดีตลอดใหม่ทั้งหมด
 استمتع بتجربة رقمية جديدة تمامًا وبشكل مبتكر

Geniet innovatief van een volledig nieuwe digitale ervaring
 Naudi innovatiivseit kogu uut digitaalset kogemust
 Nauti innovatiivisesta, aivan uudesta digitaalisesta kokemuksesta
 Genießen Sie ein rundum neues Digitalerlebnis
 Καινοτομική απόλαυση μιας εξολοκλήρου νέας εμπειρίας
 Vadonatúj digitális élmény
 Menikmati pengalaman digital yang benar-benar baru secara inovatif
 Толькімынен жаңа сандық тәжірибеге инновациялық түрде қол жеткізіңіз
 완전히 새로운 디지털 세계를 획기적으로 즐겨보세요.
 Gústiet pilnīgi jaunu digitālo baudījumu inovatīvā veidā
 Mėgaukitės visiškai naujais skaitmeniniais potyriais
 Få glede av en helt ny, innovativ digital opplevelse
 Korzystaj z zupełnie nowego cyfrowego rozwiązania
 Desfrute de uma nova experiência digital de forma inovadora
 Bucurați-vă în cel mai inovator mod de noua experiență digitală
 Inovativno uživajte u celom, novom, digitalnom iskustvu
 Inovativne si vychutnávajte úplne nový digitálny zážitok
 Sea el primero en disfrutar de una nueva experiencia digital total
 Innovativ njutning av en helt ny digital upplevelse
 Tamamen yeni yaratıcı bir dijital deneyim yaşayın
 Tân hưởng trải nghiệm số hoàn toàn mới theo cách cải tiến
 เฟล็ดเฟลนกับการสร้างสรรคประสบการณ์ดีตลอดใหม่ทั้งหมด
 استمتع بتجربة رقمية جديدة تمامًا وبشكل مبتكر

Thank you for purchasing ASUS Tinker Board 2 Series!

Tinker Board 2 Series is more than a dream for the DIY-obsessed: it's a gateway to new ideas and new relationships. Experienced makers will love Tinker Board's performance-to-price ratio and strong brand heritage, while novices and younger users will appreciate its accessibility and ease of use. But all will come together to create — Together We Make!

Package contents

Check your Tinker Board 2 Series package for the following items:

- 1 x Tinker Board 2S or Tinker Board 2
- 1 x Shielding bag
- 1 x Heatsink*
- 1 x Quick start guide
- 2 x Wi-Fi/BT antenna cables

* Beware of high temperatures when only using the bundled heat sink.

Safety Information

- Power supply used with the Tinker shall comply with relevant regulations and applicable standards.
- DO NOT overclock the board, as this may cause damage to the board.
- Ensure that the board is placed in a well ventilated environment.
- The board should be placed on a flat, stable, non-conductive surface.
- Avoid handling the board while powered. Handle the board by the edges to minimize risk of Electronic Static Damage (ESD).
- Do not use both the system DC power-in jack and the 40-pin GPIO +5V pins (pin 2 and 4, red) for power input at the same time. Please refer to the **Top view** illustration for the location of the pins.
- If you wish to use the 40-pin GPIO +5V (pin 2 and 4, red) as a power input source, please make sure the power input rating for each pin complies with the standard of +5V / 3A (+/-5% deviation). A power rating value that exceeds the rating valued mentioned, or an unstable power source may result in damage to your system or hardware. Please refer to the **Top view** illustration for the location of the pins.

ASUS Tinker Board 2 Series specifications summary

	Tinker Board 2S	Tinker Board 2
SoC	Rockchip RK3399 (64-bit)	
CPU	Dual-core Arm® Cortex®-A72 @ 2.0 GHz Quad-core Arm® Cortex®-A53 @ 1.5 GHz	
GPU	Arm® Mali™-T860 MP4 GPU @ 800 MHz	
Display	1 x HDMI™ with CEC hardware ready 1 x USB Type-C® (DP 1.2) 1 x 22-pin MIPI DSI (4 lane) supports up to FHD	
Memory Size	Dual-CH LPDDR4 2GB or 4GB	
Storage	16GB eMMC Micro SD(TF) card slot (push/pull) RTL8211F-CG GbE LAN	
Connectivity	M.2 - 802.11 a/b/g/n/ac wireless & BT 5.0 (2T2R) 1 x HDMI™ audio output	
Audio	1 x S/PDIF TX pin (from GPIO) 1 x PCM/I2S pins (from GPIO)	
USB	3 x USB 3.2 Gen 1 Type-A ports 1 x USB 3.2 Gen 1 Type-C® OTG port	
Camera Interface	1 x 15-pin MIPI CSI-2 (2 lane)	
Internal Headers	1 x 40-pin header includes: - up to 28 x GPIO pins - up to 2 x SPI bus - up to 2 x I2C bus - up to 2 x UART - up to 3 x PWM - up to 1 x PCM/I2S - up to 1 x S/PDIF TX - 2 x 5V power pins - 2 x 3.3V power pins - 8 x ground pins 1 x 2-pin Recovery header 1 x 2-pin Power-on header 1 x 2-pin Reset header 1 x 2-pin Debug UART header 1 x 2-pin DC Fan header 1 x 2-pin RTC Battery header	
Power Connector (up to 45W)	1 x 12-19V DC Power Input Jack (5.5/2.5 mm)	
OS Support	Debian 9 / Android 10	
Dimension	3.37" x 2.125" (85 x 56 mm)	

Getting Started

Booting from external Micro SD card

Requirement:

- 1 x Micro SD card with at least 8GB capacity
- 1 x 12-19V, DC 5.5/2.5 power supply*
- 1 x Monitor with HDMI™ cable or USB Type-C® (DP) cable
- 1 x Keyboard and Mouse set

* The Power Supply is purchased separately.

- Insert the micro SD card into a Windows® PC
- Download the TinkerOS image from the Tinker Board website (<https://tinker-board.asus.com/download.html>) and burn it into the micro SD card using a third-party ISO software, such as *Win32DiskImager* or *Etcher*.
- Insert the bootable micro SD card into your Tinker Board 2S / Tinker Board 2, then connect the power supply, keyboard, mouse, and monitor to boot up.

Booting from onboard eMMC

Booting from the onboard eMMC is only available for Tinker Board 2S models with eMMC.

Requirement:

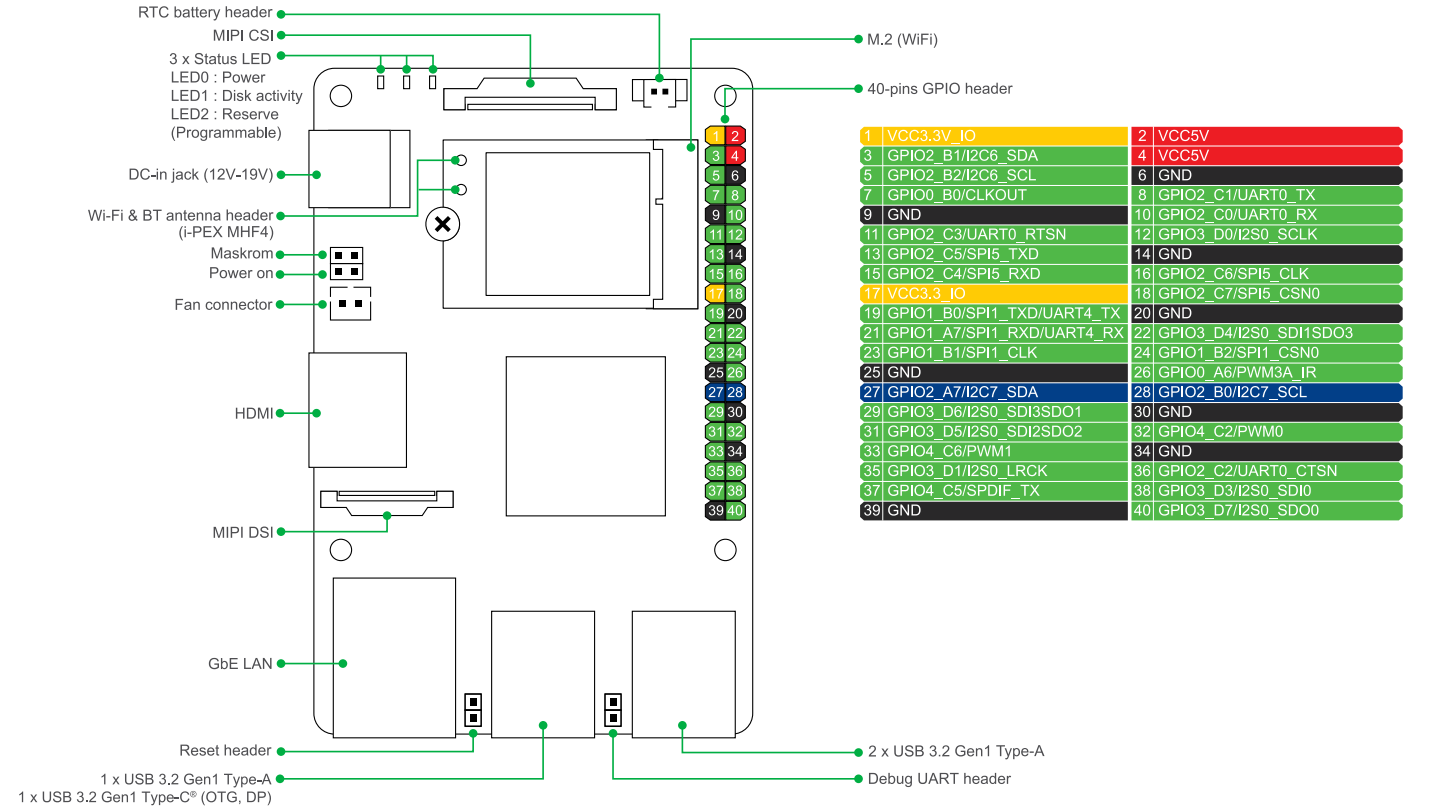
- 1 x USB Type-C® cable with data transfer function
- 1 x 12-19V, DC 5.5/2.5 power supply*
- 1 x Monitor with HDMI™ cable or USB Type-C® (DP) cable
- 1 x Keyboard and Mouse set

* The Power Supply is purchased separately.

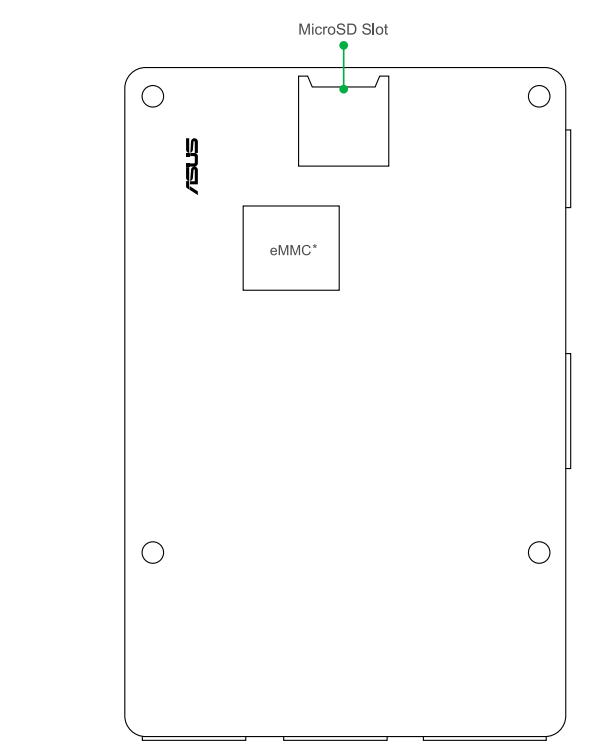
- Connect the Tinker Board 2S to a PC using a USB Type-C® cable, then wait for the PC to recognize the device.
- Download the TinkerOS image from the Tinker Board website (<https://tinker-board.asus.com/download.html>) and burn it into the Tinker Board 2S using a third-party ISO software, such as *Win32DiskImager* or *Etcher*.
- Connect the power supply, keyboard, mouse, and monitor to your Tinker Board 2S to boot up.

If the eMMC cannot be recognized, please refer to <https://tinker-board.asus.com> for more details on eMMC Recovery.

Top view



Bottom view



* Only available on selected models

Notices

Federal Communications Commission Interference Statement

This equipment has been tested and found to comply with the limits for a Class B digital device, pursuant to part 15 of the FCC Rules. These limits are designed to provide reasonable protection against harmful interference in a residential installation. This equipment generates, uses and can radiate radio frequency energy and, if not installed and used in accordance with the instructions, may cause harmful interference to radio communications. However, there is no guarantee that interference will not occur in a particular installation. If this equipment does cause harmful interference to radio or television reception, which can be determined by turning the equipment off and on, the user is encouraged to try to correct the interference by one or more of the following measures:

- Reorient or relocate the receiving antenna.
- Increase the separation between the equipment and receiver.
- Connect the equipment to an outlet on a circuit different from that to which the receiver is connected.
- Consult the dealer or an experienced radio/TV technician for help.

	Any changes or modifications not expressly approved by the grantee of this device could void the user's authority to operate the equipment.
----------------------------	---

RF exposure warning

This equipment must be installed and operated in accordance with provided instructions and the antenna(s) used for this transmitter must be installed to provide a separation distance of at least 20 cm from all persons and must not be co-located or operating in conjunction with any other antenna or transmitter. End-users and installers must be provide with antenna installation instructions and transmitter operating conditions for satisfying RF exposure compliance.

End Product Labeling

This transmitter module is authorized only for use in device where the antenna may be installed such that 20cm may be maintained between the antenna and users. The final end product must be labeled in a visible area with the following:

Contains FCC ID: TX2-RTL8822CE and Contains IC: 6317A-RTL8822CE

Mexico Notice

Contains module RCPRERT18-2159

La operación de este equipo está sujeta a las siguientes dos condiciones: (1) es posible que este equipo o dispositivo no cause interferencia perjudicial y (2) este equipo o dispositivo debe aceptar cualquier interferencia, incluyendo la que pueda causar su operación no deseada.

Regional notice for Singapore

Complies with IMDA Standards DB103778

This ASUS product complies with IMDA Standards.

Compliance Statement of Innovation, Science and Economic Development Canada (ISED)

This device complies with Innovation, Science and Economic Development Canada licence exempt RSS standard(s). Operation is subject to the following two conditions: (1) this device may not cause interference, and (2) this device must accept any interference, including interference that may cause undesired operation of the device.

CAN ICES-3(B)/NMB-3(B)

Déclaration de conformité de Innovation, Sciences et Développement économique Canada (ISED)

Le présent appareil est conforme aux CNR d'Innovation, Sciences et Développement économique Canada applicables aux appareils radio exempts de licence. L'exploitation est autorisée aux deux conditions suivantes : (1) l'appareil ne doit pas produire de brouillage, et (2) l'utilisateur de l'appareil doit accepter tout brouillage radioélectrique subi, même si le brouillage est susceptible d'en compromettre le fonctionnement.

CAN ICES-3(B)/NMB-3(B)

Précautions d'emploi de l'appareil :

- Soyez particulièrement vigilant quant à votre sécurité lors de l'utilisation de cet appareil dans certains lieux (les avions, les aéroports, les hôpitaux, les stations-service et les garages professionnels).
- Évitez d'utiliser cet appareil à proximité de dispositifs médicaux implantés. Si vous portez un implant électronique (stimulateurs cardiaques, pompes à insuline, neurostimulateurs...), veuillez impérativement respecter une distance minimale de 15 centimètres entre cet appareil et l'implant pour réduire les risques d'interférence.
- Utilisez cet appareil dans de bonnes conditions de réception pour minimiser le niveau de rayonnement. Ce n'est pas toujours le cas dans certaines zones ou situations, notamment dans les parkings souterrains, dans les ascenseurs, en train ou en voiture ou tout simplement dans un secteur mal couvert par le réseau.
- Tenez cet appareil à distance du ventre des femmes enceintes et du bas-ventre des adolescents.

NCC: Taiwan Wireless Statement

Contains module NCCA118LP2010T7

經型式認證合格之低功率射頻電機，非經許可，公司、商號或使用者均不得擅自變更頻率、加大功率或變更原設計之特性及功能。低功率射頻電機之使用不得影響飛航安全及干擾合法通信；經發現有干擾現象時，應立即停用，並改善至無干擾時方得繼續使用。前項合法通信，指依電信法規定作業之無線電通信。低功率射頻電機須忍受合法通信或工業、科學及醫療用電波輻射性電機設備之干擾。

HDMI Compliance Statement

The terms HDMI, HDMI High-Definition Multimedia Interface, and the HDMI Logo are trademarks or registered trademarks of HDMI Licensing Administrator, Inc.

Radio Frequency (RF) Exposure Information

The radiated output power of the Wireless Device is below the Industry Canada (IC) radio frequency exposure limits. The Wireless Device should be used in such a manner such that the potential for human contact during normal operation is minimized.

This device has also been evaluated and shown compliant with the IC RF Exposure limits under mobile exposure conditions. (antennas are greater than 20cm from a person's body).

Informations concernant l'exposition aux fréquences radio (RF)

La puissance de sortie émise par l'appareil de sans fil est inférieure à la limite d'exposition aux fréquences radio d'Industry Canada (IC). Utilisez l'appareil de sans fil de façon à minimiser les contacts humains lors du fonctionnement normal.

Ce périphérique a également été évalué et démontré conforme aux limites d'exposition aux RF d'IC dans des conditions d'exposition à des appareils mobiles (antennes sont supérieures à 20 cm à partir du corps d'une personne).

KC: Korea Warning Statement

본급 기기 (가정용 방송통신기자재) 이 기기는 가정용(본급) 전자파적합기기로서 주로 가정에서 사용하는 것을 목적으로 하며, 모든 지역에서 사용할 수 있습니다.

Japan JATE

本製品は電気通信事業者（移動通信会社、固定通信会社、インターネットプロバイダ等）の通信回線（公衆無線LANを含む）に直接接続することができます。本製品をインターネットに接続する場合は、必ずルータ等を経由し接続してください。」等が考えられる。

VCCI: Japan Compliance Statement

Contains module 201-180775

Class B ITE

	この装置は、クラスB情報技術装置です。この装置は、家庭環境で使用することを目的としていますが、この装置がラジオやテレビジョン受信機に近接して使用されると、受信障害を引き起こすことがあります。取扱説明書に従って正しい取り扱いをして下さい。
	V C C I - B

Contains module 00158-19-04076



00158-19-04076

限用物質及其化學符號：

單元	限用物質及其化學符號					
	鉛 (Pb)	汞 (Hg)	鎘 (Cd)	六價鉻 (Cr ⁶⁺)	多溴聯苯 (PBB)	多溴二苯醚 (PBDE)
印刷電路板及電子組件	–	○	○	○	○	○
其他及其配件	–	○	○	○	○	○
備考1. “○” 係指該項限用物質之百分比含量未超出百分比含量基準值。						
備考2. “–” 係指該項限用物質為排除項目。						

Maximum Radio-Frequency Output Table

Function	Frequency	Maximum Output Power (EIRP)
WiFi	2412 - 2472 MHz	19 dBm
	5150 - 5350 MHz	22 dBm
	5470 - 5725 MHz	22 dBm
Bluetooth	5725 - 5850 MHz	22 dBm
	2402 - 2480 MHz	8 dBm



	Simplified EU Declaration of Conformity <p>ASUSTek Computer Inc. hereby declares that this device is in compliance with the essential requirements and other relevant provisions of Directive 2014/53/EU. Full text of EU declaration of conformity is available at https://www.asus.com/support/</p>
	Vereinfachte EU-Konformitätserklärung <p>ASUSTek COMPUTER INC erklärt hiermit, dass dieses Gerät mit den grundlegenden Anforderungen und anderen relevanten Bestimmungen der Richtlinie 2014/53/EU übereinstimmt. Der gesamte Text der EU-Konformitätserklärung ist verfügbar unter: https://www.asus.com/support/</p>
	Déclaration simplifiée de conformité de l'UE <p>ASUSTek Computer Inc. déclare par la présente que cet appareil est conforme aux critères essentiels et autres clauses pertinentes de la directive 2014/53/EU. La déclaration de conformité de l'UE peut être téléchargée à partir du site internet suivant : https://www.asus.com/support/</p>

Declarazione di conformità UE semplificata

ASUSTek Computer Inc. con la presente dichiara che questo dispositivo è conforme ai requisiti essenziali e alle altre disposizioni pertinenti con la direttiva 2014/53/EU. Il testo completo della dichiarazione di conformità UE è disponibile all'indirizzo: <https://www.asus.com/support/>

Verenovoudigd EU-conformiteitsverklaring

ASUSTek Computer Inc. verklaart hierbij dat dit apparaat voldoet aan de essentiële vereisten en andere relevante bepalingen van Richtlijn 2014/53/EU. De volledige tekst van de EU-conformiteitsverklaring is beschikbaar op <https://www.asus.com/support/>

Упрощенное заявление о соответствии европейской директиве

ASUSTek Computer Inc. заявляет, что устройство соответствует основным требованиям и другим соответствующим условиям директивы 2014/53/EU. Полный текст декларации соответствия ЕС доступен на <https://www.asus.com/support/>

إعلان التوافق المبسط الصادر عن الاتحاد الأوروبي

تقر شركة ASUSTek Computer Inc. أن هذا الجهاز يتوافق مع المتطلبات الأساسية والأحكام الأخرى ذات الصلة الخاصة بتوجيه 2014/53/EU. يتوفر النص الكامل لإعلان التوافق الصادر عن الاتحاد الأوروبي على: <https://www.asus.com/support/>

Опростена декларация за съответствие на ЕС

С настоящото ASUSTek Computer Inc. декларира, че това устройство е в съответствие със съществените изисквания и другите приложими постановления на свързаната Директива 2014/53/ЕС. Пълният текст на ЕС декларация за съвместимост е достъпен на адрес <https://www.asus.com/support/>

Declaracão de Conformidade UE Simplificada

ASUSTek Computer Inc. declara que este dispositivo está em conformidade com os requisitos essenciais e outras disposições relevantes relacionadas às diretivas 2014/53/UE. O texto completo da declaração de conformidade CE está disponível em <https://www.asus.com/support/>

Declarazione di conformità UE semplificata

ASUSTek Computer Inc. ovim izjavljuje da je ovaj uređaj sukladan s bitnim zahtjevima i ostalim odgovarajućim odredbama direktive 2014/53/EU. Cijeli tekst EU izjave o sukladnosti dostupan je na <https://www.asus.com/support/>

Απλοποιημένη Δήλωση Συμμόρφωσης ΕΕ

Διά του παρόντος η ASUSTek Computer Inc. δηλώνει ότι αυτό η συσκευή είναι σύμμορη με τις βασικές προϋποθέσεις και άλλες σχετικές διατάξεις της Οδηγίας 2014/53/ΕΕ. Το πλήρες κείμενο της δήλωσης συμμόρφωσης της ΕΕ είναι διαθέσιμο στη διεύθυνση <https://www.asus.com/support/>

הצהרת האימות הרגולטורית מקוצרת עבור האיחוד האירופי

ASUSTek Computer Inc. מצהירה בזאת כי מכשיר זה תואם לדרישות החיוביות ולשאר הסעיפים הרלוונטיים של תקנה 2014/53/ה' ניתן לקרוא את הנוסח המלא של הצהרת האימות הרגולטורית עבור האיחוד האירופי בכתובת: <https://www.asus.com/support/>

Egyeszerősített EU megfelelésségi nyilatkozat

Az ASUSTek Computer Inc. ezennel kijelenti, hogy ez az eszköz megfelel az 2014/53/EU sz. irányelv alapvető követelményeinek és egyéb vonatkozó rendelkezéseinek. Az EU megfelelésségi nyilatkozat teljes szövegét a következő weboldalon tekintheti meg: <https://www.asus.com/support/>

Forenklet EU-øverenstemmelseserklæring

ASUSTek Computer Inc. erklærer hermed at denne enhed er i overensstemmelse med hovedkravene og øvrige relevante bestemmelser i direktivet 2014/53/EU. Hele EU-øverenstemmelseserklæringen kan findes på <https://www.asus.com/support/>

Pernyataan Kesesuaian EU yang Disederhanakan

ASUSTek Computer Inc. dengan ini menyatakan bahwa perangkat ini memenuhi persyaratan utama dan ketentuan relevan lainnya yang terdapat pada Petunjuk 2014/53/EU. Teks lengkap pernyataan kesesuaian EU tersedia di: <https://www.asus.com/support/>

ASUSTek Computer Inc.

ASUSTek Computer Inc. ar šo paziņo, ka šī ierīce atbilst Direktīvas 2014/53/ES būtiskajām prasībām un citiem citiem saistošajiem nosacījumiem. Pilns ES atbilstības paziņojuma teksts pieejams šeit: <https://www.asus.com/support/>

Lihtustatud EU vastavusdeklaratsioon

Käesolevaga kinnitab ASUSTek Computer Inc, et seade vastab direktiivi 2014/53/EÜ olulistele nõuetele ja teistele asjakohastele sätetele. EL vastavusdeklaratsiooni täistekst on saadaval veebisaidil <https://www.asus.com/support/>

Eurooppa - EY:n vaatimustenmukaisuusvakuutus

ASUSTek Computer Inc. ilmoittaa täten, että tämä laite on direktiivin 2014/53/EU olennaisien vaatimusten ja muiden asiaankuuluvien lisäysten mukainen. Koko EY:n vaatimustenmukaisuusvakuutuksen teksti on luettavissa osoitteessa <https://www.asus.com/support/>

Forenklet EU-samsvarserklæring

ASUSTek Computer Inc. erklærer herved at denne enheten er i samsvar med hovedsaklige krav og andre relevante forskrifter i direktiv 2014/53/EU. Fullstendig tekst for EU-samsvarserklæringen finnes på: <https://www.asus.com/support/>

Uproszczona deklaracja zgodności UE

Firma ASUSTek Computer Inc. niniejszym oświadcza, że urządzenie to jest zgodne z zasadniczymi wymogami i innymi właściwymi postanowieniami dyrektywy 2014/53/EU. Pełny tekst deklaracji zgodności UE jest dostępny pod adresem <https://www.asus.com/support/>

Απλοποιημένη Δήλωση Συμμόρφωσης ΕΕ

Διά του παρόντος η ASUSTek Computer Inc. δηλώνει ότι αυτό η συσκευή είναι σύμμορη με τις βασικές προϋποθέσεις και άλλες σχετικές διατάξεις της Οδηγίας 2014/53/ΕΕ. Το πλήρες κείμενο της δήλωσης συμμόρφωσης της ΕΕ είναι διαθέσιμο στη διεύθυνση <https://www.asus.com/support/>

הצהרת האימות הרגולטורית מקוצרת עבור האיחוד האירופי

ASUSTek Computer Inc. מצהירה בזאת כי מכשיר זה תואם לדרישות החיוביות ולשאר הסעיפים הרלוונטיים של תקנה 2014/53/ה' ניתן לקרוא את הוסח המלא של הצהרת האימות הרגולטורית עבור האיחוד האירופי בכתובת: <https://www.asus.com/support/>

Egyeszerősített EU megfelelésségi nyilatkozat

Az ASUSTek Computer Inc. ezennel kijelenti, hogy ez az eszköz megfelel az 2014/53/EU sz. irányelv alapvető követelményeinek és egyéb vonatkozó rendelkezéseinek. Az EU megfelelésségi nyilatkozat teljes szövegét a következő weboldalon tekintheti meg: <https://www.asus.com/support/>

Forenklet EU-øverenstemmelseserklæring

ASUSTek Computer Inc. erklærer hermed at denne enhed er i overensstemmelse med hovedkravene og øvrige relevante bestemmelser i direktivet 2014/53/EU. Hele EU-øverenstemmelseserklæringen kan findes på <https://www.asus.com/support/>

Pernyataan Kesesuaian EU yang Disederhanakan

ASUSTek Computer Inc. dengan ini menyatakan bahwa perangkat ini memenuhi persyaratan utama dan ketentuan relevan lainnya yang terdapat pada Petunjuk 2014/53/EU. Teks lengkap pernyataan kesesuaian EU tersedia di: <https://www.asus.com/support/>

Vienkārstota ES atbilstības paziņojums

ASUSTek Computer Inc. ar šo paziņo, ka šī ierīce atbilst Direktīvas 2014/53/ES būtiskajām prasībām un citiem citiem saistošajiem nosacījumiem. Pilns ES atbilstības paziņojuma teksts pieejams šeit: <https://www.asus.com/support/>

Supaprastinta ES atitikties deklaracija

Šiame dokumente bendrove „ASUSTek Computer Inc“ pareikia, kad šis prietaisas atitinka pagrindinius reikalavimus ir kitas susijusias Direktyvos 2014/53/ES nuostatas. Visas ES atitikties deklaracijos tekstas pateikiamas čia: <https://www.asus.com/support/>

Forenklet EU-försäkran om överensstämmelse

ASUSTek Computer Inc. deklarerar härmed att denna enhet er i samsvar med hovedsaklige krav og andre relevante forskrifter i direktiv 2014/53/EU. Fullständig text av EU-försäkran om överensstämmelse finns på <https://www.asus.com/support/>

Uproszczona deklaracja zgodności UE

Firma ASUSTek Computer Inc. niniejszym oświadcza, że urządzenie to jest zgodne z zasadniczymi wymogami i innymi właściwymi postanowieniami dyrektywy 2014/53/EU. Pełny tekst deklaracji zgodności UE jest dostępny pod adresem <https://www.asus.com/support/>

Declaracão de Conformidade Simplificada da UE

A ASUSTek Computer Inc. declara que este dispositivo está em conformidade com os requisitos essenciais e outras disposições relevantes da Diretiva 2014/53/UE. O texto integral da declaração de conformidade da UE está disponível em <https://www.asus.com/support/>

Declarate de conformitate UE, versiune simplificată

Prin prezenta, ASUSTek Computer Inc. declară că acest dispozitiv este în conformitate cu reglementările esențiale și cu celelalte prevederi relevante ale Directivei 2014/53/UE. Textul complet al declarației de conformitate UE este disponibil în adresa <https://www.asus.com/support/>

Pojednostavljena Deklaracija o usaglašenosti EU

ASUSTek Computer Inc. ovim izjavljuje da je ovaj uređaj usaglašen sa osnovnim zahtjevima i drugim relevantnim odredbama Direktive 2014/53/EU. Ceo tekst Deklaracije o usaglašenosti EU dostupan je na lokaciji <https://www.asus.com/support/>

Zjednodušené vyhlásenie o zhode platné pre EÚ

Spoločnosť ASUSTek Computer Inc. týmto vyhlasuje, že toto zariadenie je v súlade so základnými požiadavkami a ďalšími príslušnými ustanoveniami smernice č. 2014/53/EU. Plné znenie vyhlásenia o zhode pre EÚ je k dispozícii na lokalite <https://www.asus.com/support/>

Poenostavljena izjava EU o skladnosti

ASUSTek Computer Inc. tukaj izjavlja, da je ta naprava skladna s temeljnimi zahtevami in drugimi relevantnimi določili Direktive 2014/53/EU. Polno besedilo izjave EU o skladnosti je na voljo na <https://www.asus.com/support/>

Declaración de conformidad simplificada para la UE

Por la presente, ASUSTek Computer Inc. declara que este dispositivo cumple los requisitos básicos y otras disposiciones pertinentes de la directiva 2014/53/EU. En <https://www.asus.com/support/> está disponible el texto completo de la declaración de conformidad para la UE.

Förenklad EU-försäkran om överensstämmelse

ASUSTek Computer Inc. deklarerar härmed att denna enhet överensstämmer med de grundläggande kraven och andra relevanta bestämmelser i direktiv 2014/53/EU. Fullständig text av EU-försäkran om överensstämmelse finns på <https://www.asus.com/support/>

ประกาศเกี่ยวกับความสอดคล้องของสหภาพยุโรปแบบย่อ

ASUSTek Computer Inc. ขอประกาศในที่นี้ว่าอุปกรณ์นี้มีความสอดคล้องกับความต้องการที่จำเป็นและเงื่อนไขที่เกี่ยวข้องอื่น ๆ ของบทบัญญัติข้อกำหนด 2014/53/EE เนื่องจากที่สมบรูณ์ของประกาศความสอดคล้องกับ EU มีอยู่ที่ <https://www.asus.com/support/>


Basitleştirilmiş AB Uyumluluk Bildirimi

ASUSTek Computer Inc., bu aygıtın 2014/53/UE Yönergesinin temel gereksinimlerine ve diğer ilgili hükümlerine uygun olduğunu bildirir. AB uygunluk bildiriminin tam metni şu adreste bulunabilir: <https://www.asus.com/support/>

Спрощена декларация про відповідність нормам ЄС

ASUSTek Computer Inc. заявляє, що цей пристрій відповідає основним вимогам та іншим відповідним вимогам Директиви 2014 / 53 / EU. Повний текст декларації відповідності нормам ЄС доступний на <https://www.asus.com/support/>

AT	BE	BG	CZ	DK	EE	FR
DE	IS	IE	IT	GR	ES	CY
LV	LI	LT	LU	HU	MT	NL
NO	PL	PT	RO	SI	SK	TR
FI	SE	CH	UK	HR		

FCC COMPLIANCE INFORMATION	
Per FCC Part 2 Section 2.1077	
	
Responsible Party:	Asus Computer International
Address:	48720 Kato Rd, Fremont, CA 94538
Phone/Fax No:	(510)739-3777/(510)608-4555
hereby declares that the product	
Product Name :	MOTHERBOARD
Model Number :	TINKER BOARD 2, TINKER BOARD 2S
compliance statement:	This device complies with part 15 of the FCC Rules. Operation is subject to the following two conditions: (1) This device may not cause harmful interference, and (2) this device must accept any interference received, including interference that may cause undesired operation.
Ver. 180125	